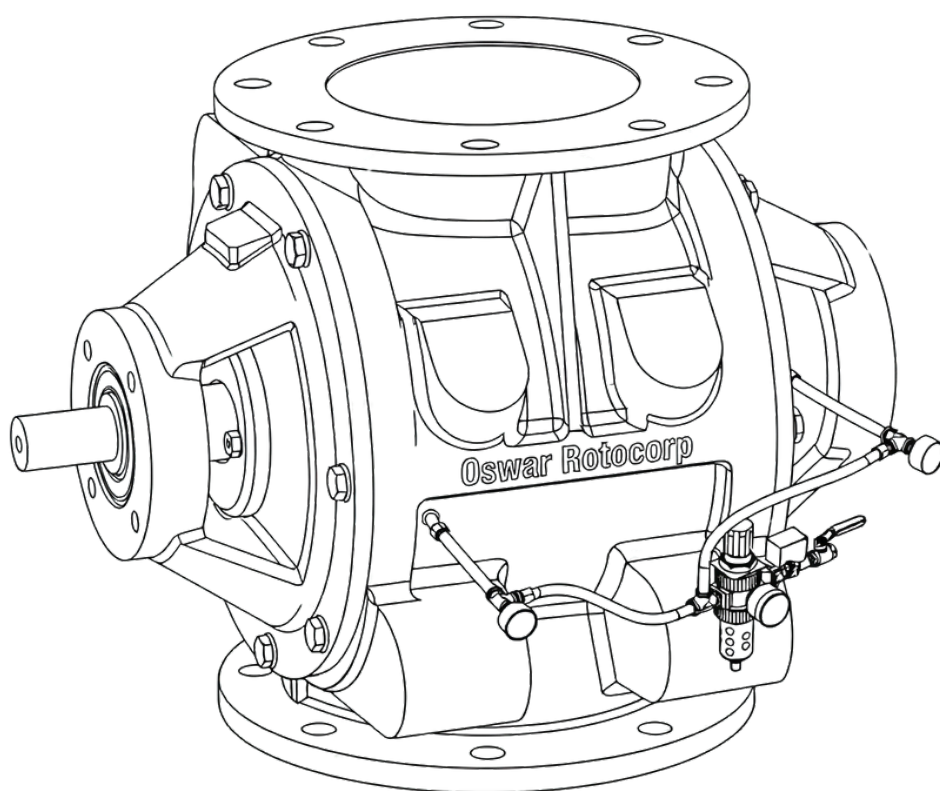
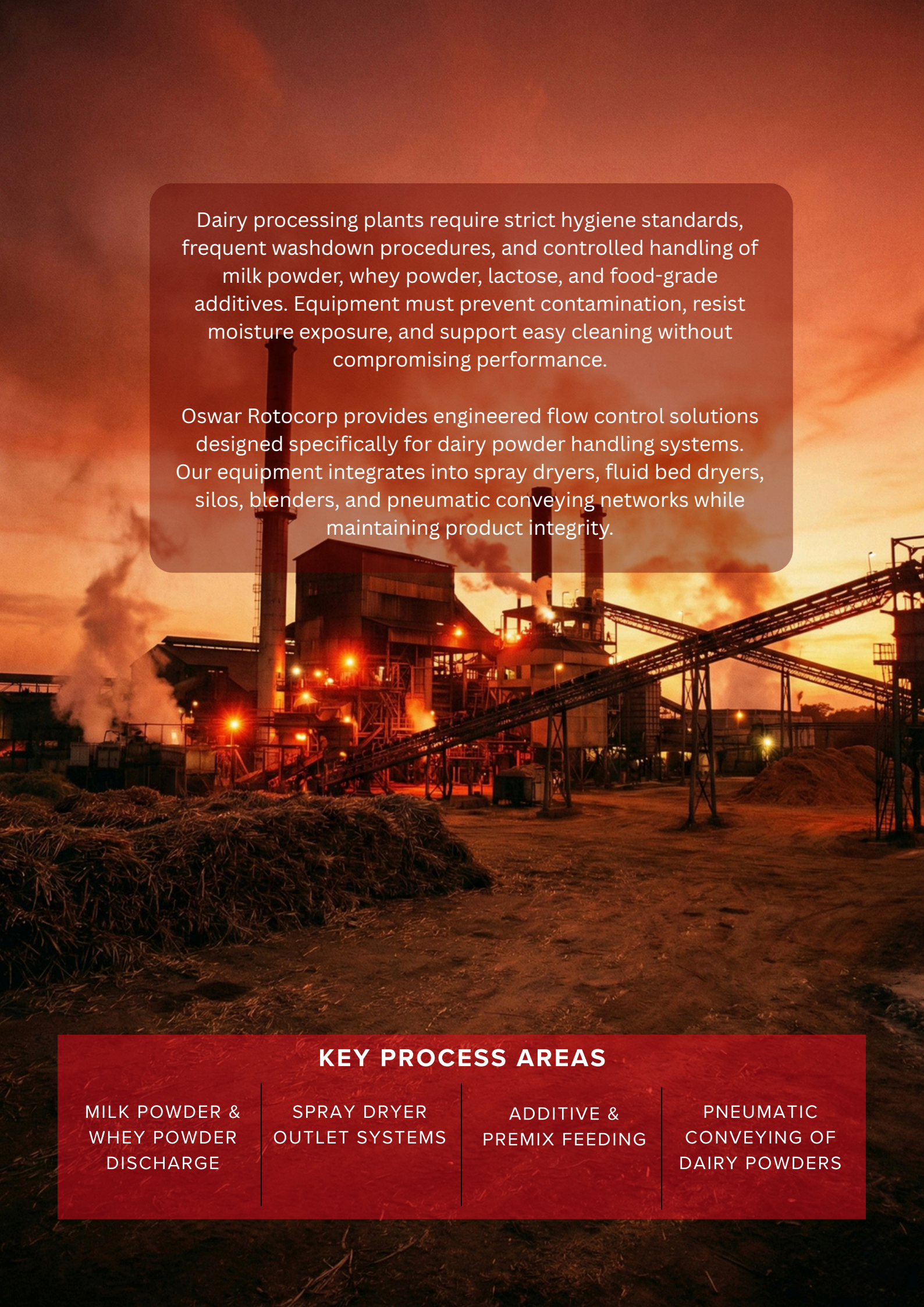


# DAIRY INDUSTRY

MILK POWDER & DAIRY PROCESSING SYSTEMS



**OSWAR**  
rotocorp



Dairy processing plants require strict hygiene standards, frequent washdown procedures, and controlled handling of milk powder, whey powder, lactose, and food-grade additives. Equipment must prevent contamination, resist moisture exposure, and support easy cleaning without compromising performance.

Oswar Rotocorp provides engineered flow control solutions designed specifically for dairy powder handling systems. Our equipment integrates into spray dryers, fluid bed dryers, silos, blenders, and pneumatic conveying networks while maintaining product integrity.

## KEY PROCESS AREAS

MILK POWDER &  
WHEY POWDER  
DISCHARGE

SPRAY DRYER  
OUTLET SYSTEMS

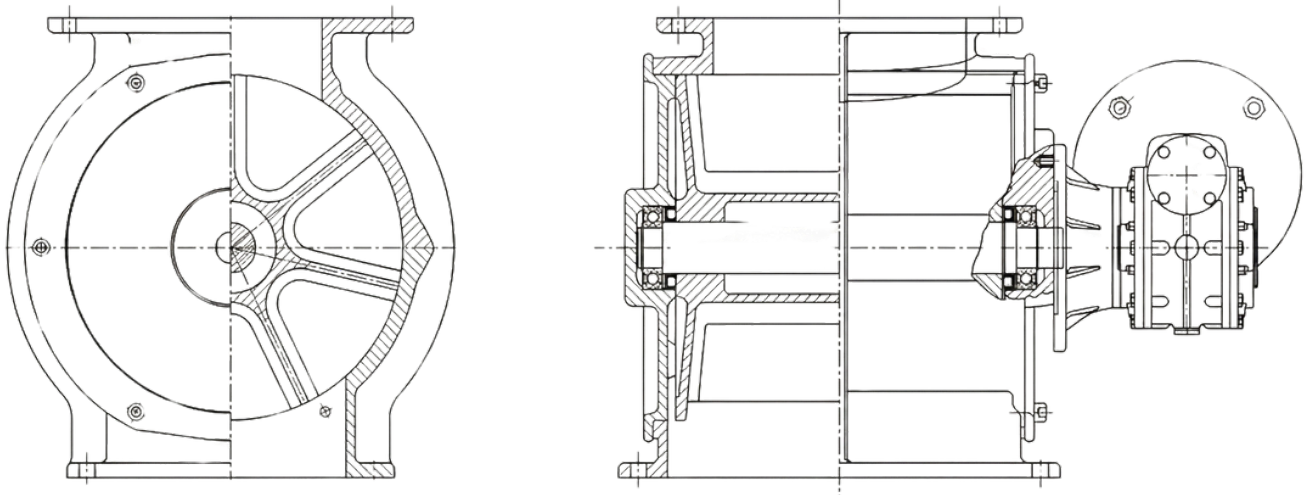
ADDITIVE &  
PREMIX FEEDING

PNEUMATIC  
CONVEYING OF  
DAIRY POWDERS

# BUILT FOR CLEANABILITY & CORROSION RESISTANCE

Dairy applications demand smooth internal surfaces, moisture-resistant materials, and sealing systems designed for hygiene and washdown conditions.

Rotary Valves for dairy systems are precision-machined with controlled clearances and optimized rotor geometry to ensure stable discharge and airlock efficiency. Surface finishes are designed to minimize powder buildup and facilitate easy cleaning.



## SOLUTION PORTFOLIO INCLUDES:

- Hygienic Rotary Valves for Dairy Powders
- Precision Feeding Rotary Valves
- Pneumatic Pressure Rotary Valves
- Hygienic Slide Gate Valves
- Diverter Valves for Multi-Line Distribution

# ENSURING SAFE & CONSISTENT DAIRY PRODUCTION

- **Controlled & Stable Powder Discharge**
- **Reduced Product Retention & Buildup**
- **Improved Airlock Efficiency**
- **Moisture-Resistant Design**
- **Easy Cleaning & Maintenance**
- **Reliable Performance During Continuous Operation**



# OSWAR

## rotocorp

### **Corporate Office**

Jaipur, Rajasthan India  
Nagpur, Maharashtra India

### **Sales Inquiries**

[info@oswarrotocorp.com](mailto:info@oswarrotocorp.com)

### **Helpline**

[+44 7917 128505](tel:+447917128505) | +91 77422 36474

**Copyright** © 2026 OSWAR ROTOCORP. All Rights Reserved. OSWAR® is a registered trademark of **OSWAR ROTOCORP**. This brochure makes no offers, representations or warranties (express or implied), and information and data contained in this brochure are for general reference only and may change at any time.